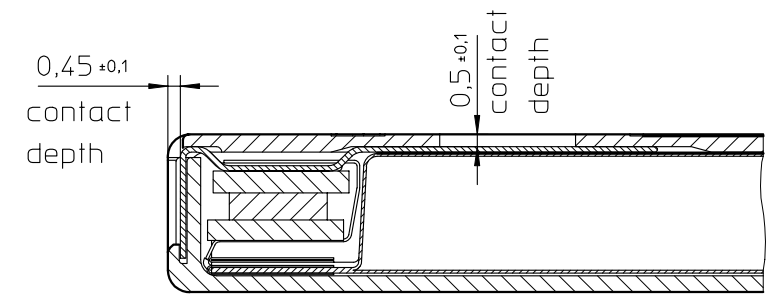
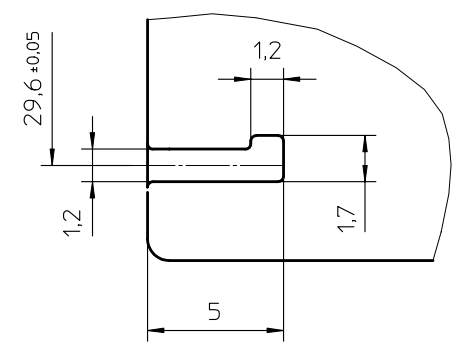


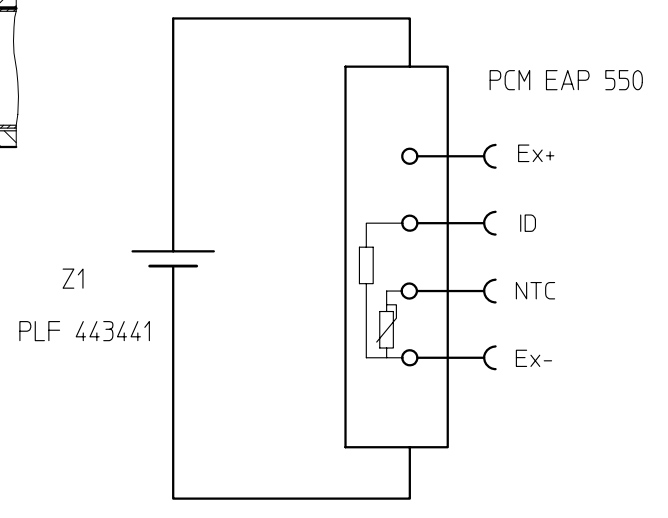
Section A-A
5 : 1



Detail X
5 : 1



Schaltplan
circuit diagram



Specification

1. General

Poliflex Cell PLF443441 incl. safety circuit
Weight: appr. 14g
PCM: EAP 550

2. Electrical Specification

Rated Capacity: 520 mAh min, 550 mAh typ.
(at 0.2C from 4.2V to 3.0V at 20°C)
Nominal Voltage: 3.7V
Max. Operating Voltage Range: 2.75V to 4.2V
Charging Method: Constant current + Constant voltage
Charge Voltage [V]: 4.20 (±50mV)
Initial charge current [mA]: Standard Charge: 260
Rapid Charge : 520
Charging cut-off [a) or b)]
a) by time [h] Standard Charge: 5
Rapid Charge : 3
b) by min. current [mA]: 10
Max. Continuous Discharge Current: 1040 mA
Internal Impedance (1kHz): appr. 130 mOhm
Exp. Cycle Life: >500 cycles >70% of initial cap. (0.5C/0.5C)
ID=3.9kOhm ±1%; NTC=10kOhm ±3%, B-Value 3435K ±3%
Cell Protection:
Overcharge Detection: max. 4.35V
(max. 2sec. delay, resume min. 4.0V)
Overdischarge Detection: min. 2.2V
(max. 250msec. delay, resume by charge)
Overcurrent Detection: 3.0A to 5.5A (4 to 16 msec. delay)

3. Ambient Conditions

Temperature Range
-Charge: 0 to +45°C
-Discharge: -20 to +60°C
-Charge Retention/Storage [%]: 1 year at -20 to 20°C >70
3 month at -20 to 45°C >70
1 month at -20 to 60°C >70
Humidity: 65 ± 20%RH

4. Safety

Please follow Handling and Safety Precautions Poliflex

Freigabe

08	drawing revised acc. to housing parts	31.03.05	bschweinst
07	Tolerance for ID ±1%, for NTC 3% added, Specification revised	27.07.04	bschweinst
06	text "Do not handout without NDA" changed into "Patent pending"	15.07.04	bschweinst
05	Specification revised	23.06.04	bschweinst

Index		Änderung / Alteration		Date	Name
Freimaß-toleranzen	Maßstab 2:1	Diese Maße werden besonders geprüft These dimensions are considered inspectable		Material VKB-Nr. 66590 711 099 PC black	
General tolerances	Als Betriebsgeheimnis anvertraut, alle Rechte vorbehalten.	Date	Name	Benennung / Designation	
up to 6 ± 0.1	Proprietary data, company confidential, all rights reserved.	Bearb. Desig.	05.02.04	bschweinst	1/PLF443441 PCM.KSK
over 6 ± 0.2		Gepr. Check.	04.04.05	bschweinst	
up to 30 ± 0.3		easy-pack-battery			
over 30 ± 0.5		Zchnng. / Dwg.Nr. 688819			
Maße in mm All dimensions are in mm		Projection:	2		
Origin: KE.1370.03		repl.f.:	Alloc.: VZE10		