

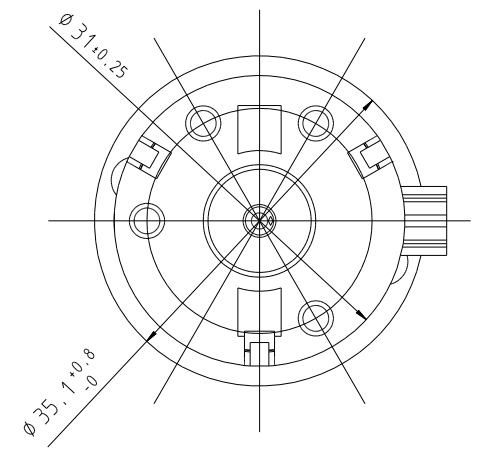
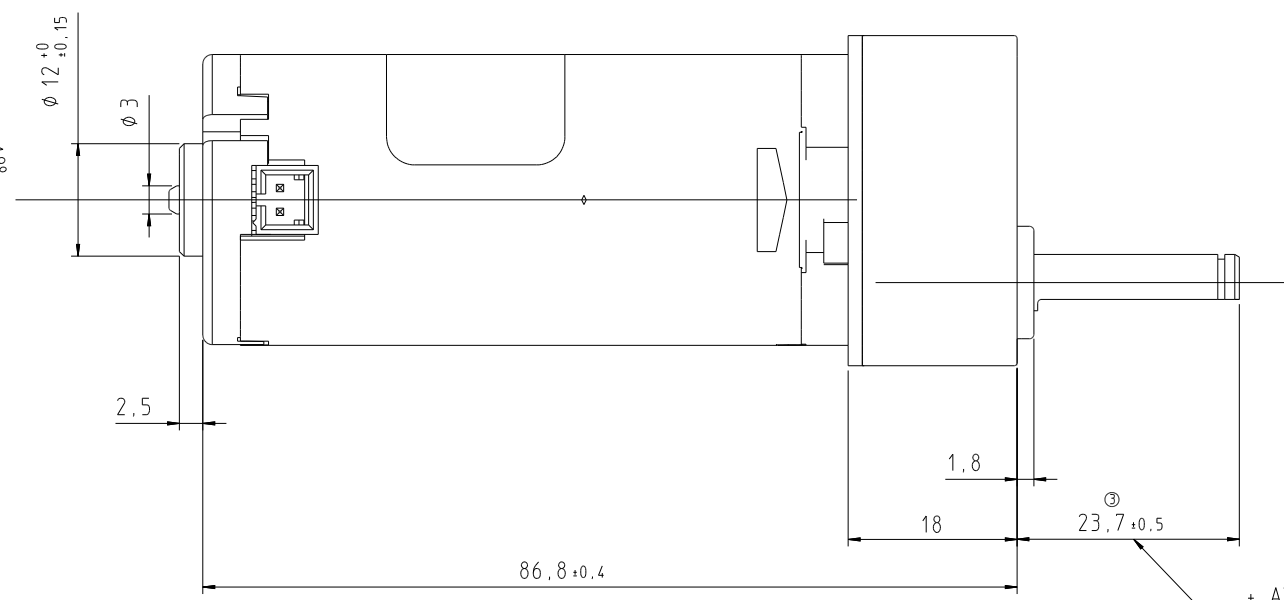
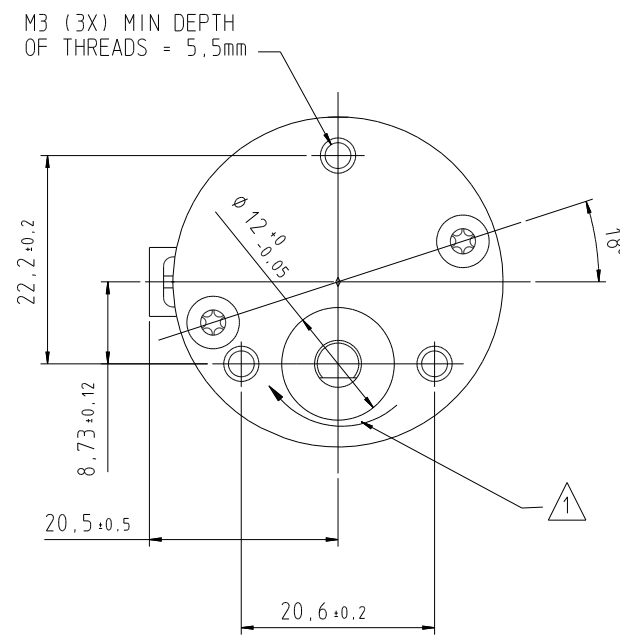
Tolerances Unless Otherwise Stated			Fillet radius and chamfer height			Surface Finish	Dimension	Tolerance
up to 6	over 6 up to 30	over 30 up to 120	up to 3	over 3 up to 6	over 6 up to 30			
+0.1	+0.2	+0.3	+0.2	+0.5	+1			

NOTES:
 1 DIRECTION OF ROTATION WITH POSITIVE VOLTAGE APPLIED TO PIN #1 OF CONNECTOR.

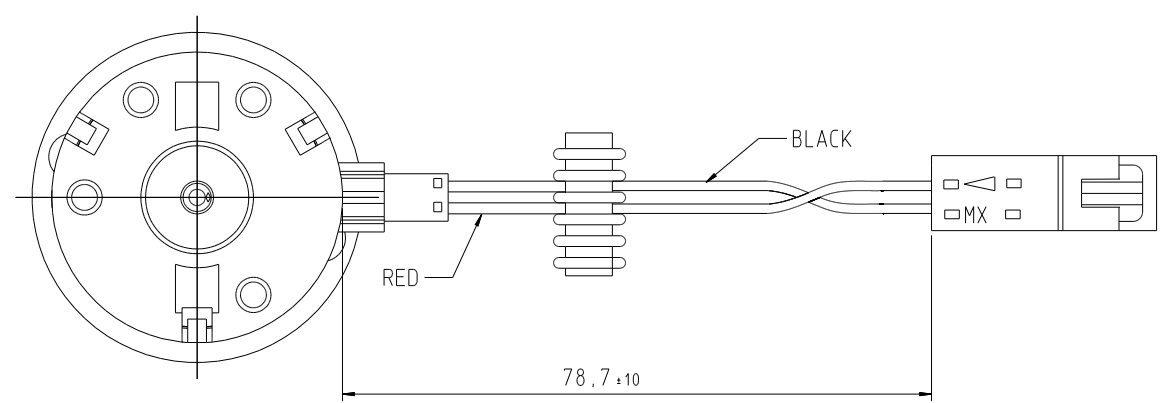
Für diese Zeichnung behalten wir uns alle Rechte nach DIN 34 für

DRAWING CREATED WITH ISO STANDARDS

THIS DOCUMENT AND ALL INFORMATION THEREIN CONTAINED ARE OUR EXCLUSIVE PROPERTY. THE RECIPIENT AGREES NOT TO REPRODUCE, COPY, USE OR TRANSMIT THIS DOCUMENT AND/OR THE INFORMATION THEREIN CONTAINED FOR ANY PURPOSE, EXCEPT WITH OUR WRITTEN PERMISSION.



GEAR RATIO
30:1



-	125
PI	KN

ISO-E		Material Number		Internal	
				B	X
				X	X
BUEHLER PRODUCTS INC. CARY, NC 27511		Date	29 JULY 97	Substituted For	
Buehler		Drawn	HERRING		
		Check	JEH	Replaced By	
		Appr.			
Title MOTOR DIMENSIONS					
Scale 2:1					
3		REVISED PER ECO 3875-20	08APR98	RS	
2		REVISED PER ECO 3875-17	18NOV97	JEH	
1		RELEASED PER ECO 3875-13	29JUL97	JEH	
DI		Change Only With CAD	Date	Name	Use
		Drawing Number		7.27.253.KN (2)	
		Exper. No.		-	
		Sheet		1	
		of		1	

