

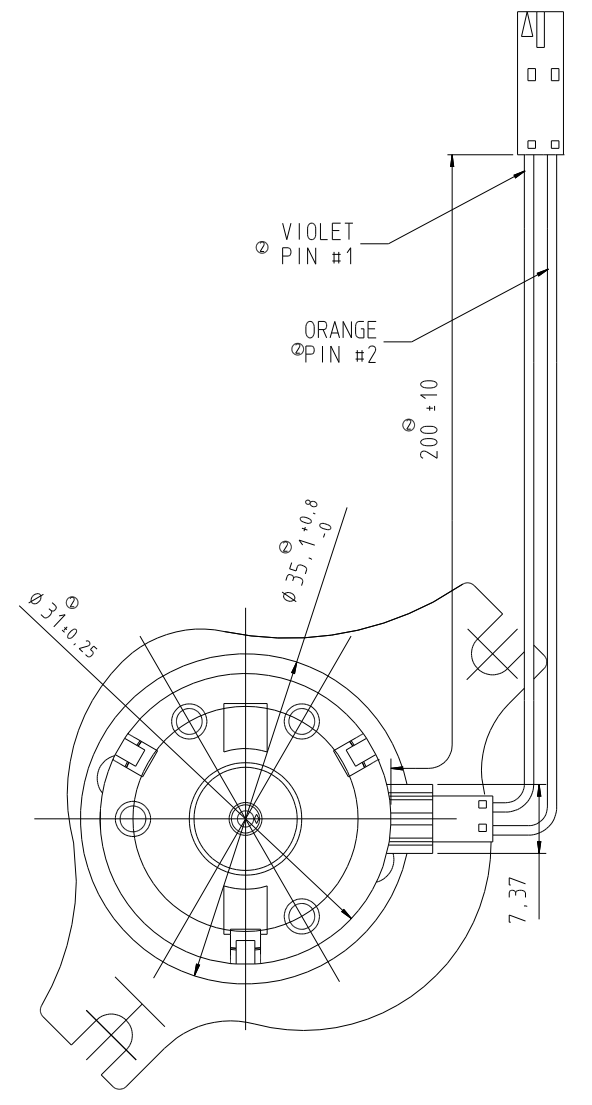
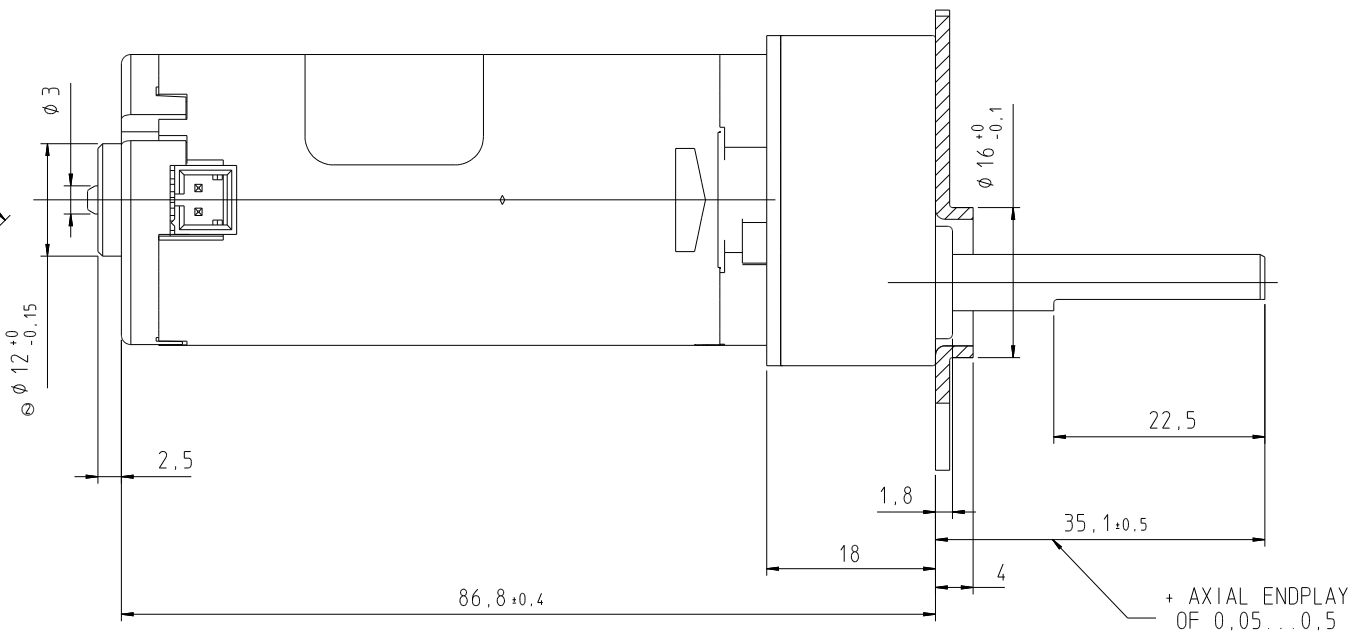
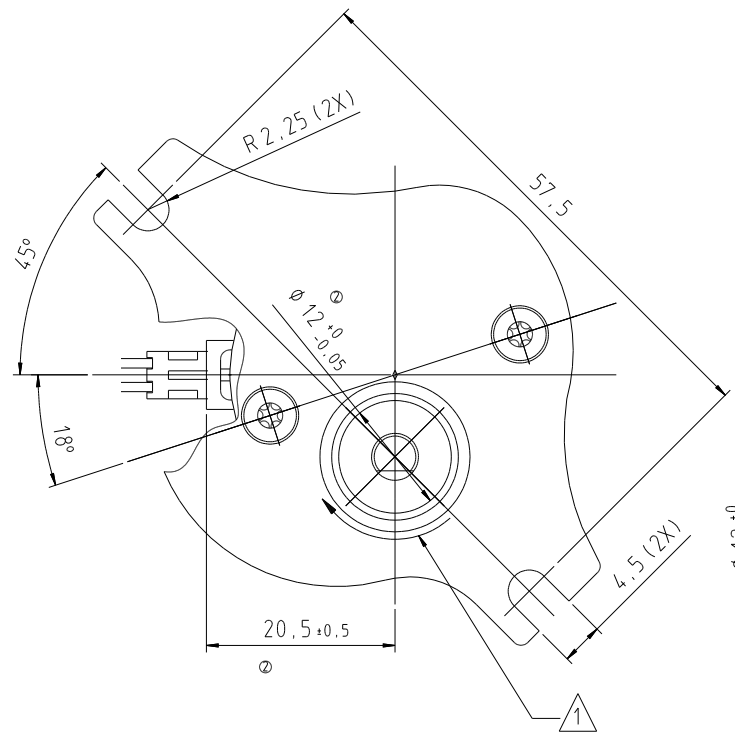
Tolerances Unless Otherwise Stated			Tolerances of Angle (Shortside of Angle)			Surface Finish	Dimension	Tolerance
up to 6	over 6 up to 30	over 30 up to 120	up to 10	over 10 up to 50	over 50 up to 100			
+0.1	+0.2	+0.3	+1°	+30'	+20'			

NOTES:  
 ① DIRECTION OF ROTATION WITH POSITIVE VOLTAGE APPLIED TO PIN #2 (ORANGE LEAD).

Für diese Zeichnung behalten wir uns alle Rechte nach DIN 34 für

DRAWING CREATED WITH ISO STANDARDS

THIS DOCUMENT AND ALL INFORMATION THEREIN CONTAINED ARE OUR EXCLUSIVE PROPERTY. THE RECIPIENT AGREES NOT TO REPRODUCE, COPY, USE OR TRANSMIT THIS DOCUMENT AND/OR THE INFORMATION THEREIN CONTAINED FOR ANY PURPOSE, EXCEPT WITH OUR WRITTEN PERMISSION.



GEAR RATIO 30:1

A	108
PI	KN

ISO-E		Material Number		Internal	
				B	X
				X	X
BUEHLER PRODUCTS INC. CARY, NC 27511		Date	05MAR97	Substituted For	
		Drawn	S. LYTLE		
		Check	S. LYTLE	Replaced By	
		Appr.			
Title MOTOR DIMENSIONS					Scale 2:1
Exper. No.					
Drawing Number 7.27.253.KN (2)					Sheet 1 of 1
2	REVISE PER ECO 3869-125 PI-A	11JUN97	JEH		
1	RELEASED PER ECO 3869-87	05MAR97	JSL	61.46	
DI	Change Only With CAD	Date	Name	Use	

30mm

Für diese Zeichnung behalten wir uns alle Rechte nach DIN 34. für.

DRAWING CREATED WITH ISO STANDARDS

1			2			3				
Tolerances Unless Otherwise Stated			Tolerances of Angle (Shortside of Angle)			Surface Finish			Dimension	Tolerance
up to 6	over 6 up to 30	over 30 up to 120	up to 10	over 10 up to 50	over 50 up to 100					
±0.1	±0.2	±0.3	±1°	±30'	±20'					

4. PERFORMANCE AT LOAD OF 20,0 Ncm - VOLTAGE = 24 VDC  
 SPEED = 114-133 RPM  
 CURRENT = 0.195-0.290 A

5. NOISE: (TBD) dBA MAX. AT A DISTANCE OF 1,0 METER, (TBD) VDC,  
 (TBD) Ncm LOAD.

6. MAXIMUM TORQUE TO MANUALLY TURN OUTPUT SHAFT: 80 Ncm  
 (0 VDC, MOTOR LEADS OPEN CIRCUIT) MUST BE CAPABLE BEFORE AND AT END OF LIFE.

7. LIFE TEST

VOLTAGE = 24VDC

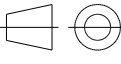
CONDITIONS = 100K STARTS @ 60 Ncm  
 100K STARTS @ 50 Ncm  
 750K STARTS @ 40 Ncm  
 250K STARTS @ 30 Ncm  
 400K STARTS @ 20 Ncm  
 TBD INERTIA  
 45 N RADIAL LOAD 14 mm FROM MOUNTING FACE.  
 (N/A) N AXIAL LOAD (REF)

DUTY CYCLE = 0,526 SEC ON CW  
 1,35 SEC OFF

REQUIREMENT = 1,6 MILLION STARTS  
 233 HOURS MIN.

A	108
PI	KN

THIS DOCUMENT AND ALL INFORMATION THEREIN CONTAINED ARE OUR EXCLUSIVE PROPERTY. THE RECIPIENT AGREES NOT TO REPRODUCE COPY, USE OR TRANSMIT THIS DOCUMENT, AND/OR THE INFORMATION THEREIN CONTAINED FOR ANY PURPOSE, EXCEPT WITH OUR WRITTEN PERMISSION.

				 ISO-E		-			Internal		
						Material Number			B X		
						Date			Substituted For		
						Drawn			-		
						Check			Replaced By		
						Appr.			-		
						Title SPECIFICATION					Scale 1:1
						Exper. No. -					-
						Drawing Number 7.13.171.KN (4)					Sheet 2 of 2
						2 REVISE PER ECO 3869-125 PI-A 11JUN97 JEH					2
						1 RELEASE PER ECO 3869-87 05MAR97 JSL 61.46 - - - - -					2
						DI Change Only With CAD Date Name Use					

