

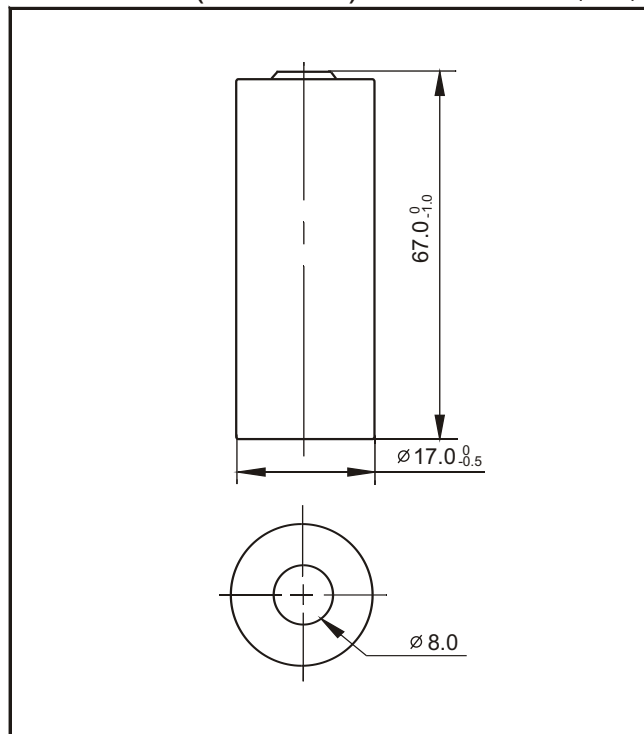
BYD Ni-MH Battery Individual Data Sheets

TYPE: H-4/3A3000(HR17/67)

Specifications

Nominal voltage		1.2V	
Capacity ¹		0.2C Discharge	1C Discharge
	Minimum	3000mAh ²	2700mAh
	Typical ³	3300mAh	3000mAh
Dimensions	Diameter	mm	inch
		17.0 ⁰ _{-0.5}	0.67 ⁰ _{-0.020}
	Height	67.0 ⁰ _{-1.0}	2.64 ⁰ _{-0.039}
Weight ⁴		Grams	Ounces
		47	1.66
Internal impedance ⁴ at 1000Hz.		20mΩ (After charge)	
Charge	Standard	300mA(0.1C) X 15hrs	
	Rapid	3000mA(1C) X 1.2hrs	
Ambient temperature	Charge		°C
		Standard	0°C to 45°C
	Rapid	10°C to 40°C	
	Discharge	°F	32°F to 113°F
		10°C to 40°C	50°F to 104°F
Storage	-20°C to 65°C	-4°F to 149°F	
	-20°C to 45°C	-4°F to 113°F	

Dimensions(with tube) (mm)

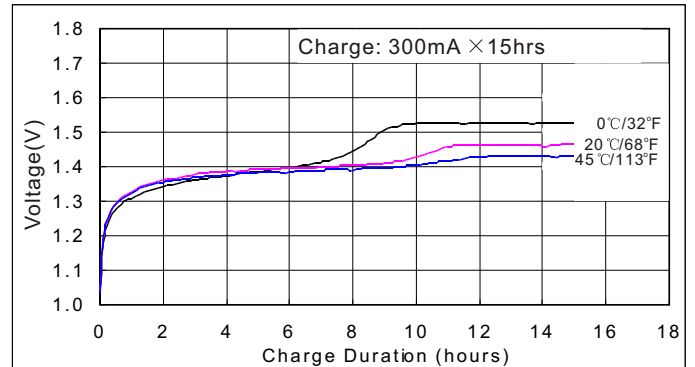


Note:

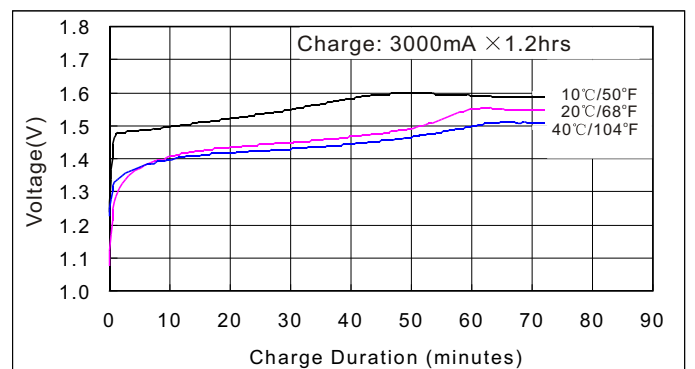
1. After charging at 0.1C for 15 hours.
2. Nominal capacity, rated at 0.2C, 20°C
3. Average capacity. For reference only.
4. Weight and internal impedance are for reference.

Typical Characteristics

Standard charge characteristics



Rapid charge characteristics



Discharge characteristics at various rate

