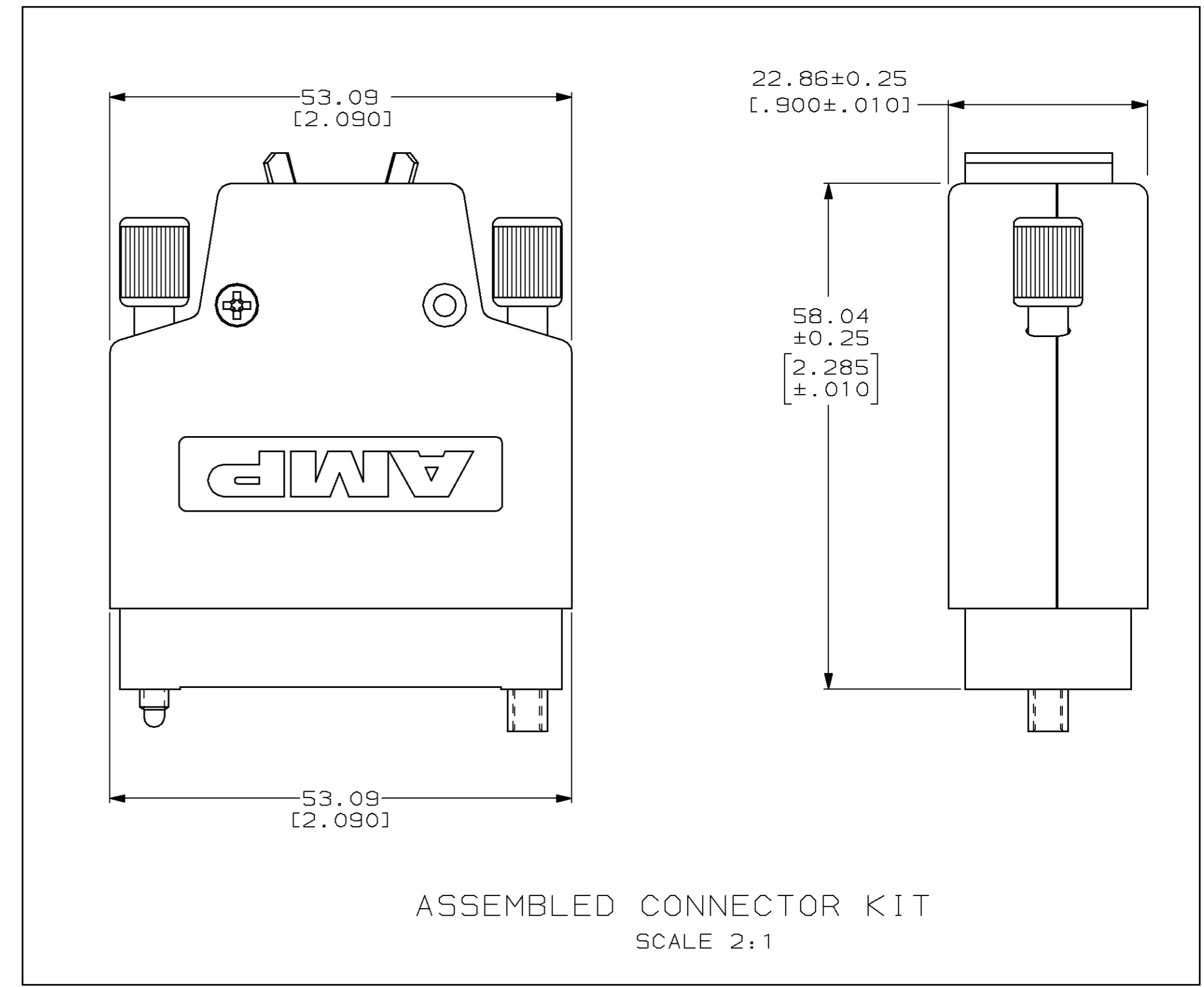
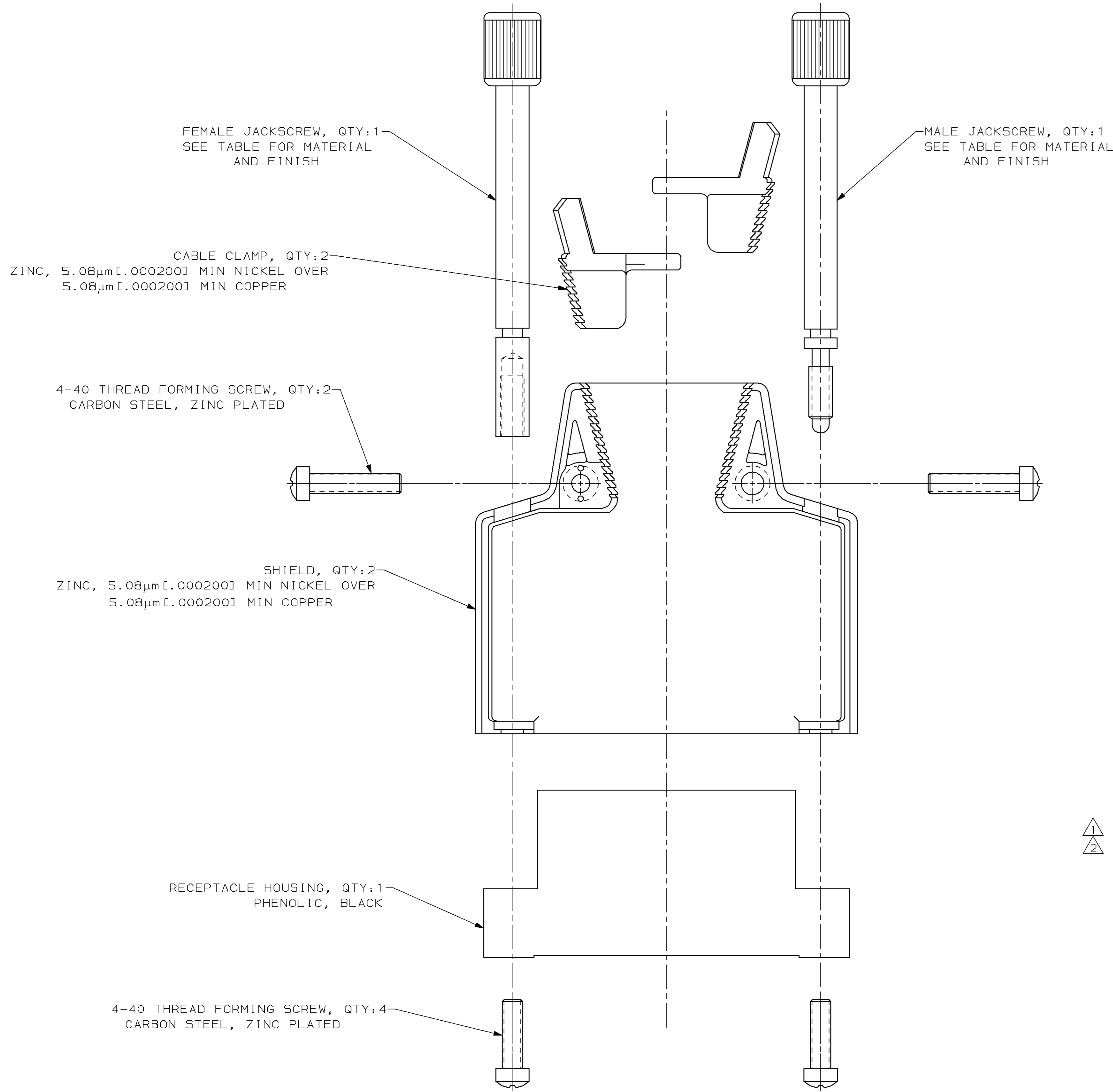


LOC		DIST		P		F		ZONE		LTR		REVISIONS			
FT	8											DESCRIPTION	DATE	APPD	
												0	RLSE PER NPR 3589, WAS 90-4883-31	6-21-91	-
												A	ADDED -3 & -4 PER NPR 4304	08/12/92	SK
												A1	ADDED -5 PER NPR 5009	12/15/93	TC
												B	REV PER EC 0020-216-95	03/27/95	TC
												C	REV PER EC 0020-318-95	05/05/95	TC
												D	OBS -4 PER EC 0020-598-96	08 JAN 97	MM



1 ZINC, NICKEL PLATED.
 2 STAINLESS STEEL.

OBSELETE	JACKSCREW	CABLE DIAMETER	PART NO
1		3.81-7.62 [.150-.300]	213685-5
2		6.35-10.16 [.250-.400]	213685-4
3		10.16-15.24 [.400-.600]	213685-3
4		6.35-10.16 [.250-.400]	213685-2
5		10.16-15.24 [.400-.600]	213685-1

DO NOT SCALE PRINT. UNLESS SPECIFIED DIMENSIONS IN mm [INCHES] TOLERANCES: ON ; 2 PLC DEC ± 0.13(.005) 3 PLC DEC ± - ANGLES ± -		DR 6-21-91 W.G.LENKER		AMP Incorporated Harrisburg, PA 17105-3608	
SEE CALLOUTS		CHK 6-27-91 R STONE			
FINISH SEE CALLOUTS		APPD 6-28-91 A BOULLIANNE		NAME	
		APPD 6-28-91 A BOULLIANNE		CONNECTOR KIT, UNASSEMBLED, 34 POSITION, M SERIES	
		PRODUCT SPEC -		SIZE	
		APPLICATION SPEC -		D 00779	
		WEIGHT -		CAGE CODE	
				00779	
				DRAWING NO	
				213685	
				SCALE	
				3:1	
				SHEET	
				1 OF 1	