



60 W POWER SUPPLY

Engineering specification

Model : SYS1126-6012

Part No:

For Approval

Page : 1-9

Date : 2006/08/31

Rev : V1.0

Product: POWER SUPPLY

Customer: Surplus Traders

MODEL No : SYS1126-6012(RoHS)

PART No : _____

B.P/N : _____

Check By: Cynthia 8/31/2006

Customer SIGN/APPROVAL	Comments:
Date:	

**60 W POWER SUPPLY**

Engineering specification

Model : SYS1126-6012

Part No:

Item No.		page
0	General	
1	Input Requirements	2
2	Output Requirements	3
3	Protection	5
4	PLD	6
5	COOLING	7
6	EMC	7
7	Leakage Current	7
8	Safety Approval	8
9	Hi-Pot	8
10	Environment	8
11	Vibration	8
12	MTBF	8
13	Mechanical	9
14	DC output connector type and pin assignment	9
15	Label specification	9
16	Package	9

60 W POWER SUPPLY

Engineering specification

Model : SYS1126-6012

Part No:

General

The specification defines the performance characteristics of a 60 W, Single Output level switching power supply for _____. The power supply has designed highly reliable and meet international safety and radiation requirements.

1.0 Input requirements

1.1 Input voltage range

Type	Low range	High range
Nominal	115Vac	230Vac
Minimum	90Vac	185Vac
Maximum	132Vac	264Vac
Frequency	47-63Hz sine wave 1 ϕ	47-63 Hz sine wave 1 ϕ

Auto range - switch at approximately 150Vac \pm 5Vac

Universal range - 90~264Vac

Range - Selectable by jumper connector or wire.

Range - Selectable by switch.

1.2 Input Current

1.6 A rms max	At AC low line input and DC output full load
---------------	--

1.3 Input protection

2A Fuse	The power supply shall be protected against power line surges and _____ any abnormal condition.
---------	---

1.4 Input surge current

45A/60A max	At power supply cold start, ambient temperature 25 $^{\circ}$ C @115Vac /230Vac nominal AC input.
-------------	---

60 W POWER SUPPLY

Engineering specification

Model : SYS1126-6012

Part No:

1.5 Efficiency

75 %min	At AC nominal input@ output full load
---------	---------------------------------------

1.6 Hold up time

10ms min	At AC nominal input@ output full load (1 half cycle)
----------	---

1.7 Power consumption

4W rms max	At AC nominal input@output min load
------------	-------------------------------------

2.0 Output requirements

2.1 Turn on delay

7000ms max	At AC Nominal input@output full load
------------	--------------------------------------

* Test on delay is measured from 0 voltage output to the main output 90% voltage.

2.2 DC output regulation

Voltage	Loading(A)			Tolerance Range	Adjustable voltage Range
	Min	Normal	Max	Total Regulation	
+12V	0		5A	±5%	none

* Total regulation involved line regulation load regulation cross regulation---etc

* Line regulation is measured from 90Vac to 132Vac or 185vac to 264vac

* Load regulation is measured all output from min load to max load at 115vac

or 230vac nominal AC input voltage.

PROPERTY OF SUNNY COMPUTER TECHNOLOGY CO.,LTD. DO NOT BE USED OR DUPLICATED WITHOUT PERMISSION OF THE OWNER	DATE : 05 / 08 / 27 FINAL REV : V1.0 FILE ADDRESS : TCRD0479.DOC.
---	---

60 W POWER SUPPLY

Engineering specification

Model : SYS1126-6012

Part No:

2.3 Ripple/noise *

Voltage	Low frequency *1	High frequency *2	*3	*4
(DC)	Ripple mv(p-p)	Ripple mv(p-p)	Noise mv(p-p)	Ripple/Noise(p-p)
+12V				120mV

* The ripple is measured from peak to peak with band width limit of 20MHZ

(By passed at the end of connector with 10uf electrolytic and 0.1uf ceramic disk

capacitor under DC output full Load, AC nominal input 25°C ambient temperature).

* 1.2.3.4 Unless has special requirements otherwise *4 is the testing spec.

2.4 Output transient response (dv , tmax)

0.8v dv max	At AC nominal input loading from 50% load to max load or peak load.
12ms t max	Dynamic rise time 10uS max , duty 40mS max , Dynamic load step is slew rate of 0.5A/uS

* Test only for main output or designed by customer.

2.5 Overshoot / Undershoot(δV , δT)

Voltage	Overshoot(max)		Undershoot(max)	
	δV	δT	δV	δT
+12V	0.1V	2.5ms	0.01V	0.1ms

* Measured AC nominal input range(90~264Vac), Any loading (min load~full load).

PROPERTY OF SUNNY COMPUTER TECHNOLOGY CO.,LTD. DO NOT BE USED OR DUPLICATED WITHOUT PERMISSION OF THE OWNER	DATE : 05 / 08 / 27 FINAL REV : V1.0 FILE ADDRESS : TCRD0479.DOC.
---	---

60 W POWER SUPPLY

Engineering specification

Model : SYS1126-6012

Part No:

2.6 Power output limit : Peak 65 W

2.7 Burn in test : Will be defined after meeting.

2.8 Led display

LED	Status
ON	Power on
OFF	Power off

3.0 Protection

3.1 Short protection / Over current protection

The power supply will self-protect any output to ground, And auto recovery when abnormal circuit faults remove.

An output short circuit is defined as any output impedance of less than 0.1 ohms.

Short current and over current can not exceed 8A max after 1 min. at nominal line input.

Voltage	OCP Current(A)	Power in(W)	OCP method		
			latch off	Current limit	Fold back
+12V	7±1.5				<input checked="" type="checkbox"/>

3.2 Over voltage protection

Voltage	OVP range	OVP Method		
		Latch off	Auto recovery	Voltage limit
+12V	15±2			<input checked="" type="checkbox"/>

60 W POWER SUPPLY

Engineering specification

Model : SYS1126-6012

Part No:

3.3 No load protection

The power supply is provided with no-load operation to prevent the power supply and system from damage.

4.0 PLD (power line disturbance)

4.1 LINE POWER SURGE

The power supply shall meet its specification with a rise in AC voltage to 120% of maximum rated line voltage (288 voltage for 100-240 Vac operation) for a maximum of 20 milliseconds at 50Hz and 16 millisecond at 60Hz. The surge is to be applied five times with an interval of one minute between surges.

4.2 LINE VOLTAGE SAG

The power supply shall continue to meet its specifications with a line voltage drop (and subsequent return to minimum rated voltage) to 68 Vac with a total power sag cycle time of 20 ms (rise and fall time shall equal 10 ms each).

5.0 COOLING

Cooling Method	
By ___ mm fan force air cooling	<input type="checkbox"/>
By nature air.	<input checked="" type="checkbox"/>

60 W POWER SUPPLY

Engineering specification

Model : SYS1126-6012

Part No:

6.0 EMC

Meet EN55022 class B, Fcc part 15 Sub part B class B.

6.1 CE spec.

- EN55022 Limits and methods of measurement of radio disturbance characteristics of information technology equipment.
- EN55011 Limits and methods of measurement of radio disturbance characteristics of industrial, scientific and medical(ISM) high frequency equipment.
- EN55014 Limits and methods of measurement of radio disturbance characteristics of household electrical appliances, portable tools and similar electrical apparatus.
- EN61000-3-2 By household appliances and similar electrical equipment “Harmonics”.
- EN61000-3-3 By household appliances and similar electrical equipment “Voltage fluctuations”.
- EN50082-1 By EMS TEST:
 - ESD Measurement(EN61000-4-2)
 - RF Field strength Susceptibility Measurement(EN61000-4-3).
 - Electrical Fast Transient/Burst Measurement(EN61000-4-4).

7.0 Leakage current : 3.5 mA max.

8.0 Safety approval

A : CUL D : Nemko G : _____
B : TUV E : PSE H : _____
C : CB F : _____ I : _____

9.0 HI-POT

- HI-POT---A IEC 320 3pin primary to secondary (FG) 1500Vac 10mA 1min
- HI-POT---B IEC 320 2pin primary to secondary 3000Vac 10mA 1min

60 W POWER SUPPLY

Engineering specification

Model : SYS1126-6012

Part No:

10. Environment

PERATURE AND HUMIDITY

OPERATING TEMPERATURE _____ 0 DEGREES C TO 40 DEGREES C.

OPERATING HUMIDITY _____ 8% TO 90% RH.(RELATIVE HUMIDITY).

STORAGE TEMPERATURE _____ -20 DEGREES C TO 85 DEGREES C.

STORAGE HUMIDITY _____ 5% TO 95% RH.(RELATIVE HUMIDITY).

11. Vibration

SWEEP AND RESONANCE	SEARCH		
FREQUENCY	DURATION	AXIS	AMPLITUDE
5-20-500	30 MINUTES	X,Y,Z	1G

12. M.T.B.F

Shall be 35000 power on hours on greater under 25 degrees C of ambient temperature.
MTBF under evaluated under.

13.Mechanical

13.1 Dimension unit : (mm)(max)

L×W×H= 118 × 60 × 39

13.2 Weight (g) :

13.3 Drawing : As Attachment()



60 W POWER SUPPLY

Engineering specification

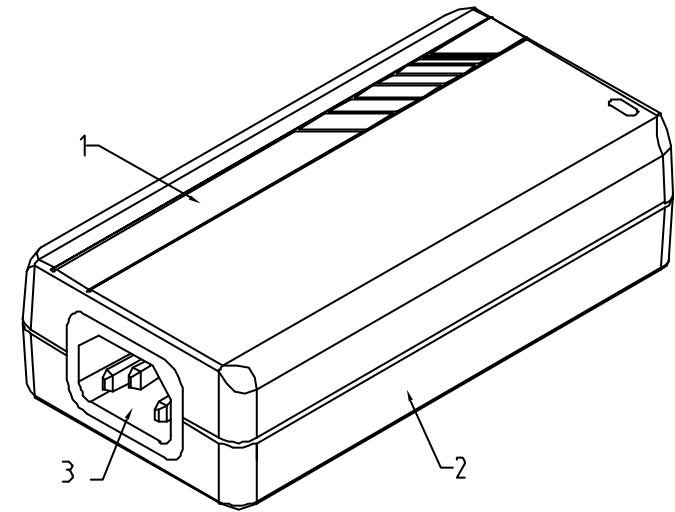
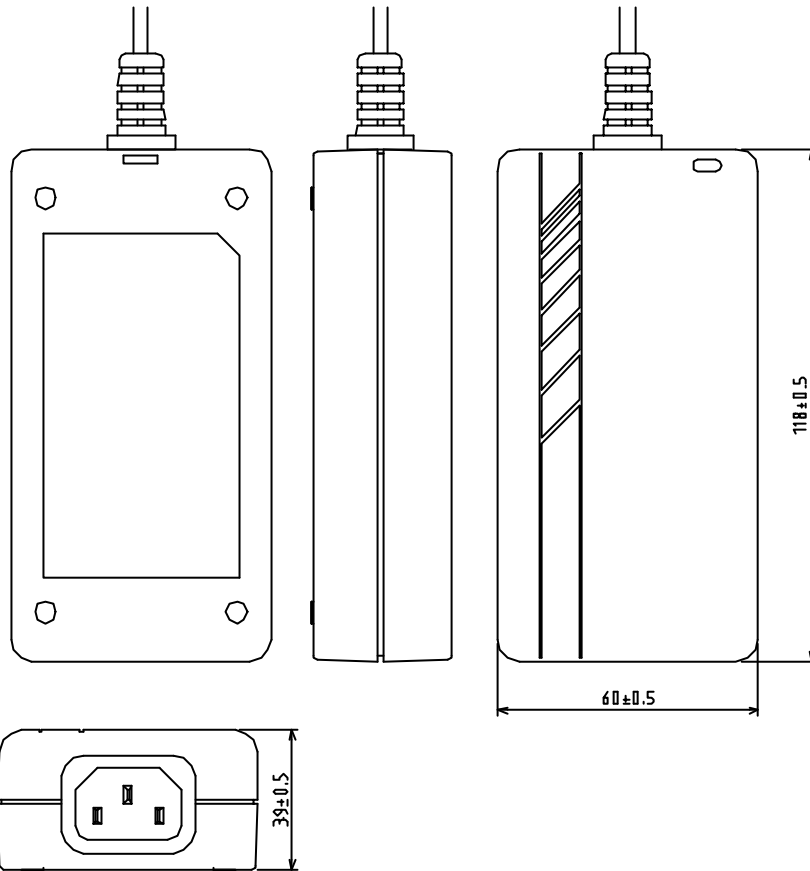
Model : SYS1126-6012

Part No:



14.DC output connector type and pin assignment : As Attachment()

15.Label specification : As Attachment()

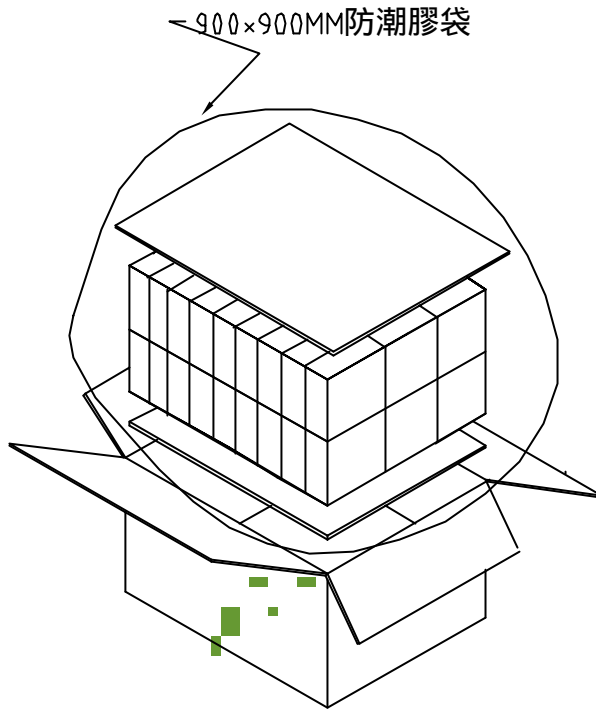
16.Package : As Attachment()



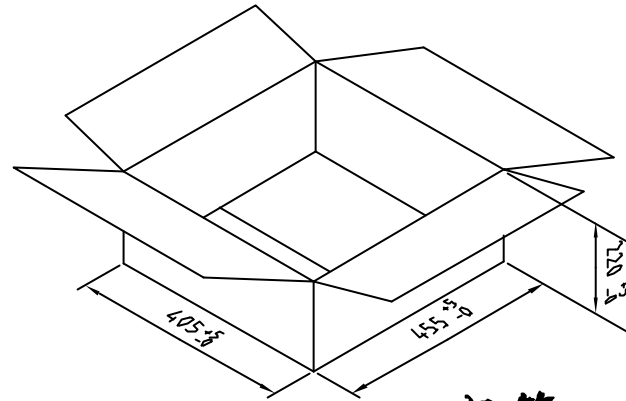
3	socket			
2	BOTTOM	(G)1061194A041*	BLACK	PPO
1	TOP	(G)1061193A041*	BLACK	PPO
NO.	NAME	PART NO	COLOR	MATERIAL

 TEL:(0769)3377756-9 3377358 FAX:(0769)3377351 Email:sales@Sunny-group.com	MODEL NAME	SYS1126			APPROVAL2	ISSUED STAMP				
	PART No.		UNIT	MM	APPROVAL1					
	DRAWING NAME	外觀圖	TOLERANCES UNLESS OTHERWISE SPECIFIED		ENGINEER					
	PART NAME		LINEAR	0.1 ± 0.1	DRAWING BY	郭小飛 8/31				
	DWG PATH:			0.00 ± 0.01	DOC. No.		SCALE		SHEET	1 OF 1
		ANGLE	0.000 ± 0.005							
									± 2°	

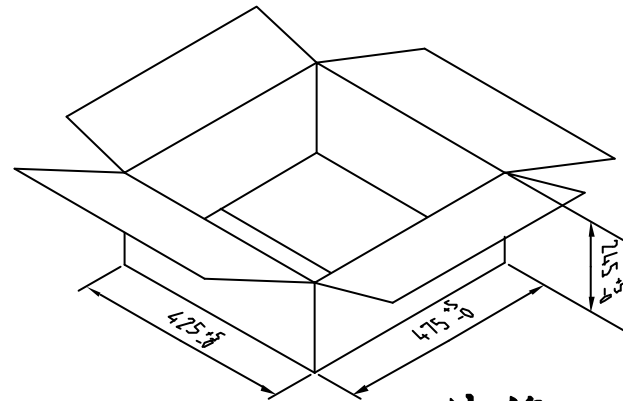
REV.	DESCRIPTION	DATE
V1.1	新版發行	6/18/08



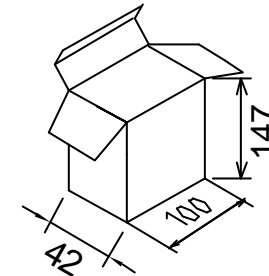
外箱:475(L)*425(W)*245(H)
 內箱:455(L)*405(W)*220(H)
 Q'TY: 9(L)x3(W)x2(H)=54Pcs



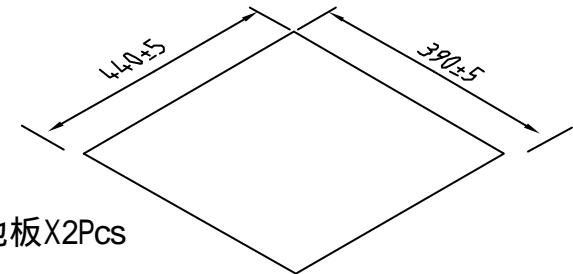
內箱



外箱



小白盒:100(L)x42(W)x147(H) 54Pcs



天地板X2Pcs

5	G11720028A0** A:A	1PC	外箱
4	G11720030A0**A=A	1PC	內箱
3	G11740023A0**A=A	2PCS	天地板
2	G11710240A0**	54PCS	白盒
1	G1175089*****	1 PCS	防潮袋
NO	SPECIFICATION	Q'TY	54 PCS



TEL:(0769)83377756-9 83377358
 FAX:(0769)83377351~2
 Email:Sales@Sunny-group.com

MODEL NAME	SYS1126 RoHS
PART NO	
DRAWING NAME	包裝圖
PART NAME	
DWG PATH:	

UNIT	mm
TOLERANCES UNLESS OTHERWISE SPECIFIED	
LINEAR	0.0 +/- 0.1 0.00 +/- 0.01 0.000 +/- 0.005
ANGLE	+/- 2 degree

APPROVAL 2	
APPROVAL 1	
ENGINEER	
DRAWING BY	郭小飛 8/31
DOC.NO.	

ISSUED STAMP			
SCALE		SHEET	1 OF 1

Sunny COMPUTER TECHNOLOGY CO.,LTD.

SWITCHING ADAPTER

MODEL: SYS1126-6012

INPUT: 100-240V~1.6A MAX,50-60Hz,100-200VA

OUTPUT: +12V === 5.0A

OUTPUT POWER:60W MAX



S/N: _____

MADE IN CHINA XXX

SCALE:1.0X

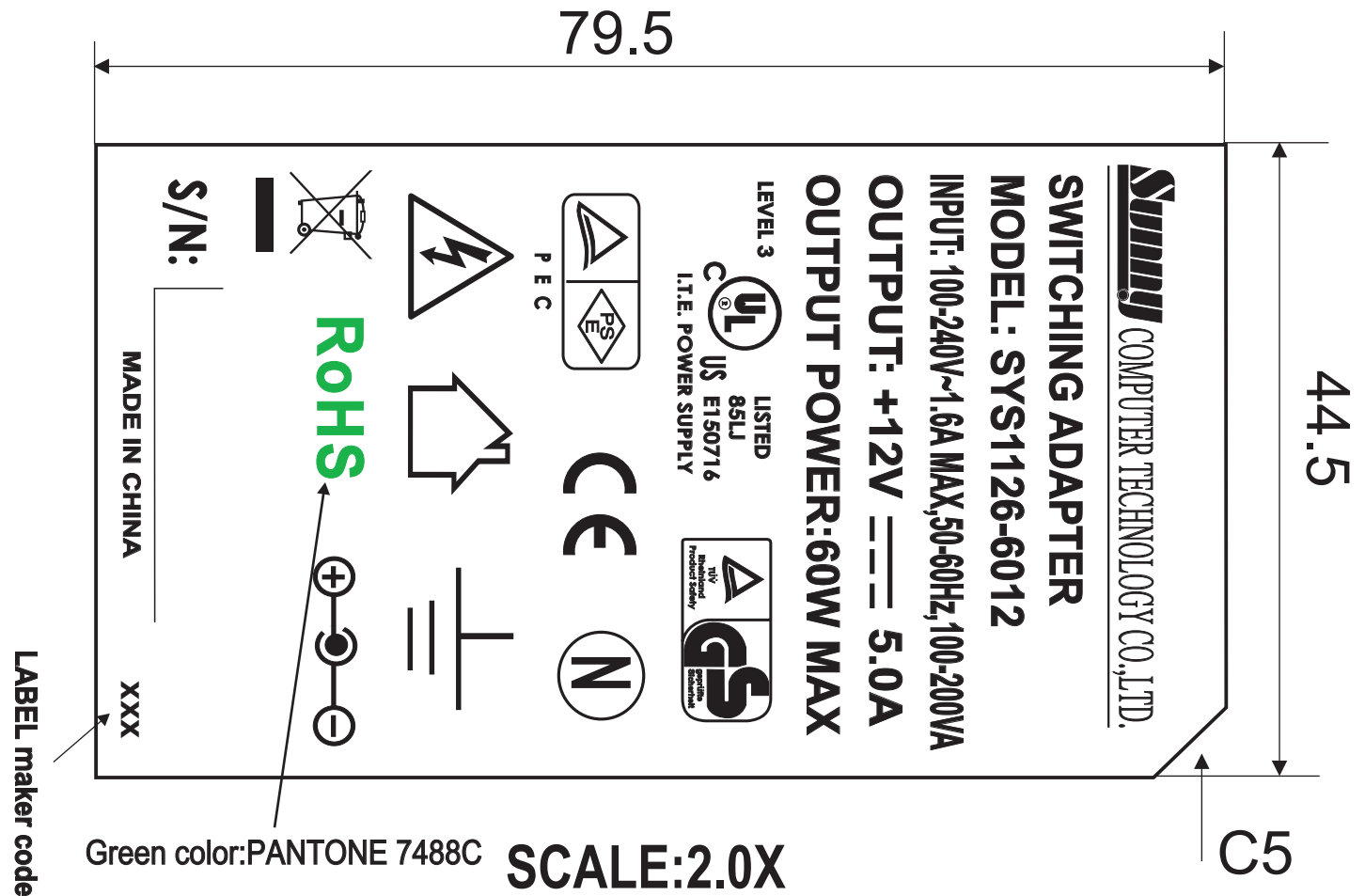
NOTE:

1>.黑底白字霧面

2>.Material: PET<耐高溫>

3>.Thickness : 180#

4>.Tolerance: 0.1mm



Green color:PANTONE 7488C

SCALE:2.0X

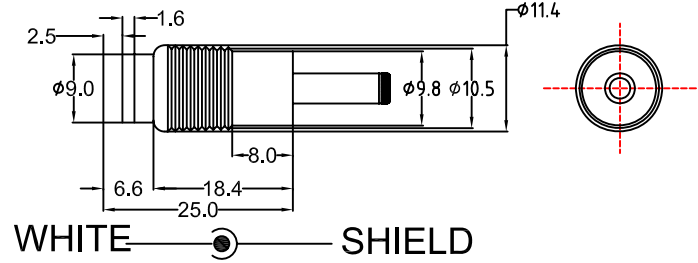
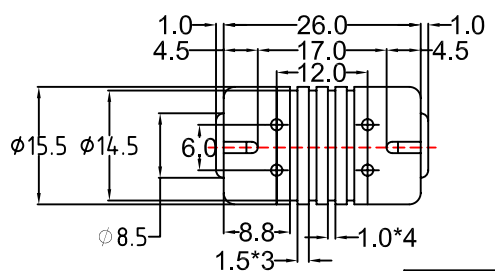
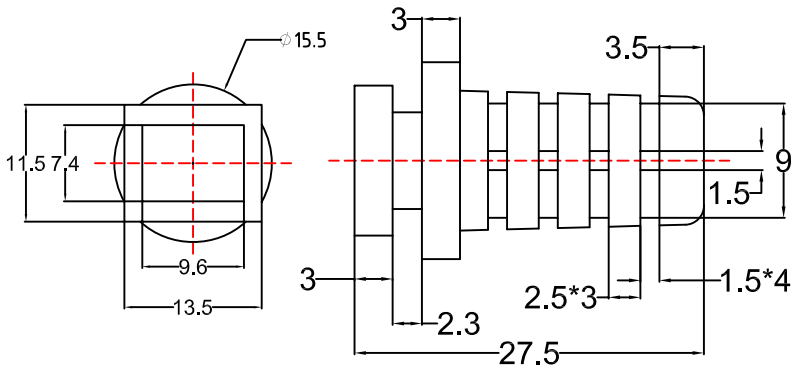
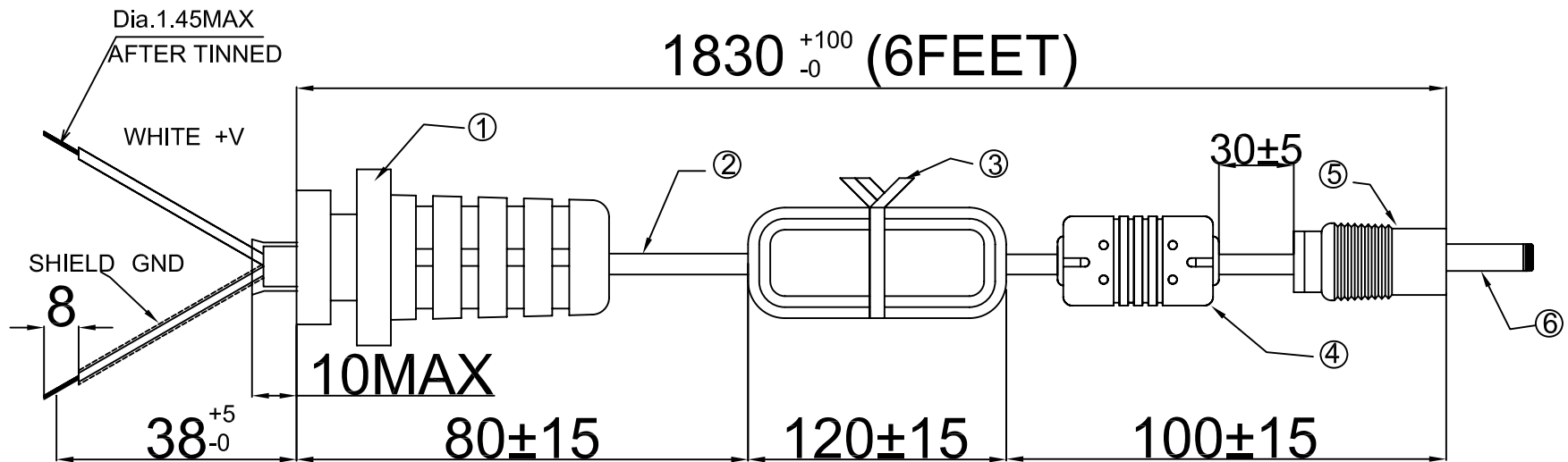


TEL : (0769)83377756-9 83377358

FAX:(0769)83377351-2

Email:sales@sunny-group.com

MODEL NAME	SYS1126-6012			APPROVAL2		ISSUED STAMP			
PART NUMBER	G1151016098A0	UNIT	mm	APPROVAL1	Cynthia 8/31				
DRAWING NAME	LABEL	TOLERANCES UNLESS OTHERWISE SPECIFIED		ENGINEER					
PART NAME		LINEAR	0.0 ± 0.1 0.00 ± 0.01	DRAWIN BY	LU SUN 8/31				
DWG PATH:D:\COREL\LABEL		ANGEL	0.000 ± 0.001 ANGEL ± 2°	DOC.NO.		SCALE	1:1	SHEET	1 Of 1



#1126-6012

6	FEMALE BARREL/BLACK	1PC	2.5*5.5*12
5	P1	1PC	堅憶用P105 號模
4	C1 10.5*5.6*20	1PC	堅憶62號模
3	MINI TIE=130mm BLACK	1PC	
2	1185#18*1C+SHIELD PVC.BLACK 80°C.	1PC	UL APPROVAL
1	SR2	1PC	堅憶用SR92 號模
NO.	SPECIFICATION	Q'TY	REMARK

Sunny
 TEL:(0769)83377756-9 83377358
 FAX:(0769)83377351~2
 Email:Sales@Sunny-group.com

MODEL NAME	10740173A0**
PART NO	G1074430320105161*
DRAWING NAME	DC CABLE
PART NAME	DC CABLE
DWG PATH:	

UNIT	mm
TOLERANCES UNLESS OTHERWISE SPECIFIED	
LINEAR	0.0 +/-0.1 0.00+/-0.01 0.000+/-0.005
ANGLE	+/-2 degree

APPROVAL 2	
APPROVAL 1	Cynthia 8/31
ENGINEER	
ENGINEER	Linda 8/31
DOC.NO.	

ISSUED STAMP	
SCALE	
SHEET	1 OF 1

* PROPERTY OF SUNNY COMPUTER TECHNOLOGY CO.,LTD.DO NOT BE USED OR DUPLICATED WITHOUT PERMISSION OF THE OWENER.STYLE:192-V1.0