

SPECIFICATION FOR APPROVAL

CUSTOMER :

DESCRIPTION : DC BRUSHLESS FAN

DIMENSIONS : 45X45X10 mm

MODEL : KDE0545PFS1-8

APPROVED NO :

APPROVED BY :
(AUTHORIZED)



DAWN.	張育真	2/1	CHKD.		APPD.		SPEC. NO.	142354300
							ISSUE DATE	01.11.1996
							EDITION	0
							REVISE DATE	

建準電機工業股份有限公司
 SUNONWEALTH ELECTRIC MACHINE INDUSTRY CO., LTD.
 12FL., 120 CHUNG CHENG 1ST RD., TEL:886-7-7163069(41 LINES)
 KAOHSIUNG, TAIWAN, R. O. C. FAX:886-7-7163086~89

DC BRUSHLESS FAN

MODEL: KDE0545PFS1-8

CHARACTERISTICS

- 1. Input power , Current & Speed : Measured after continuous 30 minutes operation at rated voltage in clean air at ambient temperature of 25 degrees C.
- 2. Noise Level : Measured in an semi-anechoic chamber with background noise level below 15 dBA. The fan is running in free air with microphone at a distance of one meter from the fan intake.
- 3. Dielectric Strength : Applied AC 500V for one minute or AC 600V for 2 seconds between housing and lead wire(+)
- 4. Motor Design : Patented single-coil DC brushless 8 poles motor design.
- 5. Insulation Resistance : More than 500M ohm between internal stator and lead wire(+) measured by DC 500V.
- 6. Tolerances : +-15% on rated power and current
- 7. Motor Protection : Polarity protected & Locked rotor protected.
- 8. Air Performance : Measured by a double chamber. The value are recorded when the fan speed is stabilized at rated voltage.



建準電機工業股份有限公司 SUNONWEALTH ELECTRIC MACHINE INDUSTRY CO., LTD	SPEC. NO.	142354300	REVISE DATE	
	ISSUE DATE	01. 11. 1996	EDITION	0
	PAGE	2 OF 5		

SPECIFICATIONS

MODEL: KDE0545PFS1-8

- 1-1. Rated Voltage : 5 VDC
- 1-2. Operating Voltage Range : 4-6 VDC
- 1-3. Starting Voltage : 4 VDC
- 1-4. Rated Speed : 6000 RPM±1000 RPM
- 1-5. Air Delivery : 8 CFM
- 1-6. Static Pressure : 0.14 Inch-H₂O
- 1-7. Rated Current : 0.16 AMP
- 1-8. Rated Power : 0.8 WATTS
- 1-9. Noise Level : 28.5 dB(A)
- 1-10. Direction of Rotation : Clockwies viewed from front face
- 1-11. Operating Temperature : -10 to +70 Deg.C
- 1-12. Storage Temperature : -40 to +80 Deg.C
- 1-13. Bearing System : Lubricated sleeve bearing system
- 1-14. Weight : 20g
- 1-15. Safety : UL/CUR Approvals

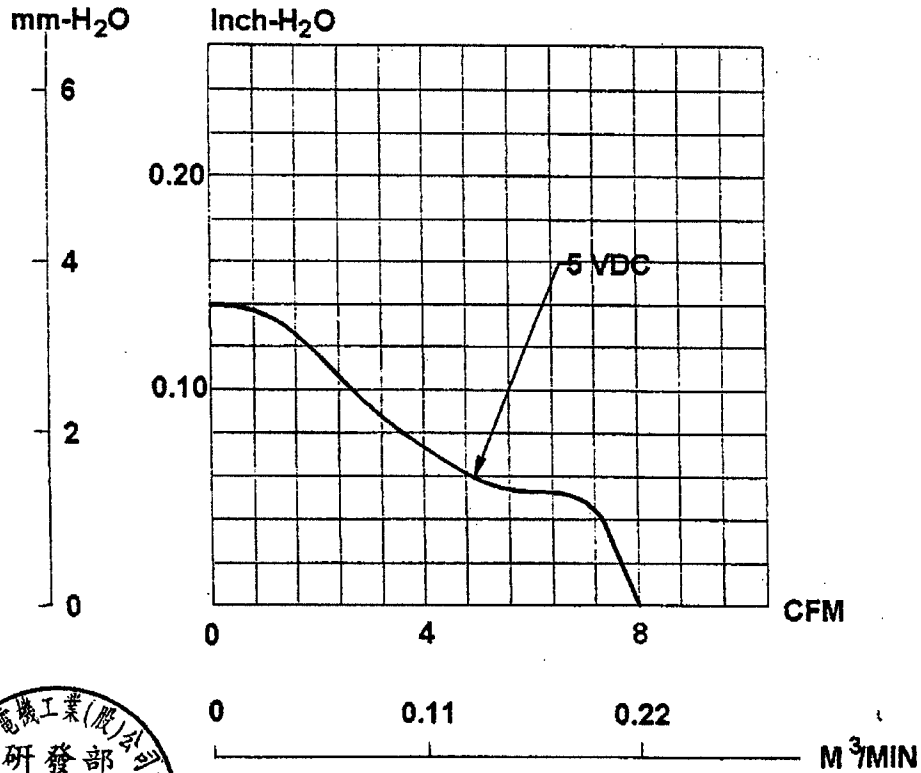


建準電機工業股份有限公司 SUNONWEALTH ELECTRIC MACHINE INDUSTRY CO., LTD.	SPEC. NO.	142354300	REVISE DATE	
	ISSUE DATE	01. 11. 1996	EDITION	0
	PAGE	3 OF 5		

MODEL: KDE0545PFS1-8

PERFORMANCE CURVES

STATIC PRESSURE

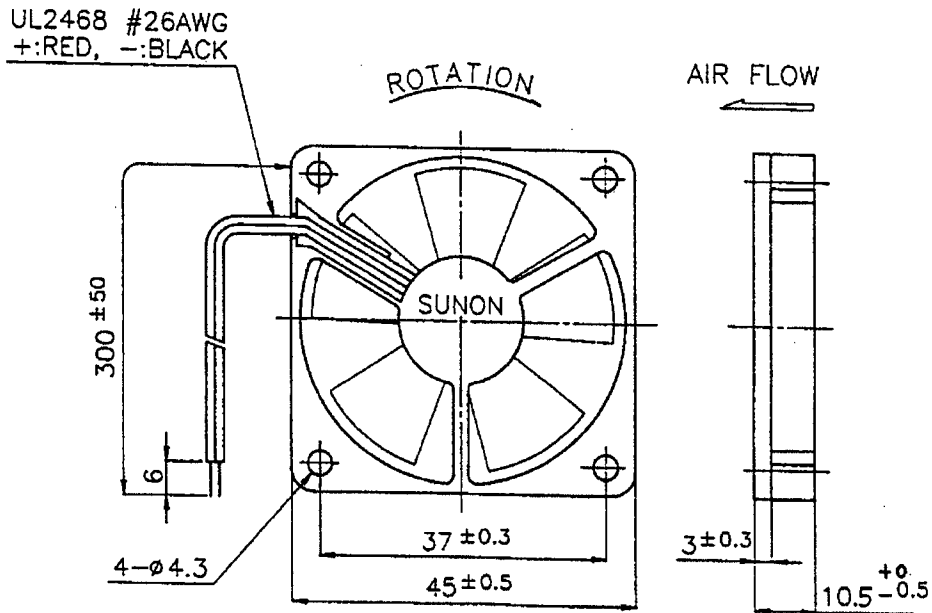


建準電機工業股份有限公司 SUNONWEALTH ELECTRIC MACHINE INDUSTRY CO., LTD.	SPEC. NO.	142354300	REVISE DATE	
	ISSUE DATE	01. 11. 1996	EDITION	0
	PAGE	4 OF 5		

MATERIAL

- 2-1. Frame : Thermoplastic PBT of UL 94V-0
- 2-2. Impeller : Thermoplastic PBT of UL 94V-0
- 2-3. Bobbin : Thermoplastic PBT of UL 94V-0
- 2-4. Lead Wire : UL2468, 26AWG, +:RED ; -:BLACK

DIMENSIONS



UNIT : mm

建準電機工業股份有限公司 SUNONWEALTH ELECTRIC MACHINE INDUSTRY CO., LTD.	SPEC. NO.	142354300	REVISE DATE	
	ISSUE DATE	01. 11. 1996	EDITION	0
	PAGE	5 OF 5		